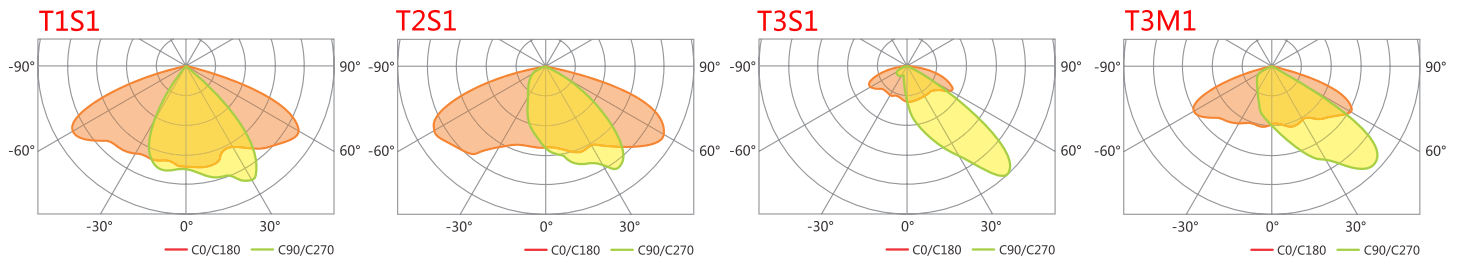
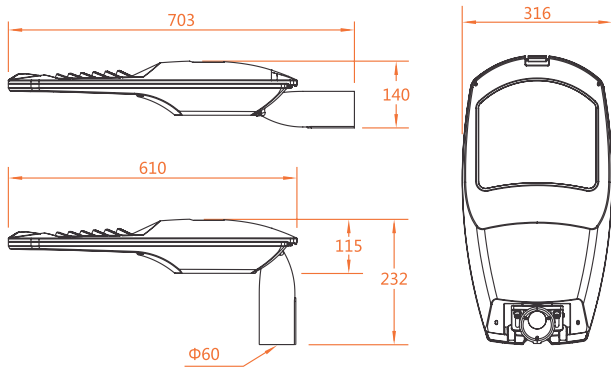


SENTINAL 36

LITENET presents Sentinel range of lighting system for outdoor lighting application. The Sentinel range is rated IP66 and pole mounted.

This is a commercial fitting that has optional photocell, surge protection and power-off protection available.



Power	40W	60W	80W	100W
LED	SMD	SMD	SMD	SMD
Luminous flux 3K	4,110 lm	7,363 lm	9,707 lm	12,272 lm
Luminous flux 4K	4,440 lm	8,100 lm	10,840 lm	13,500lm
Dimensions	750mm x 365mm x 200mm	750mm x 365mm x 200mm	750mm x 365mm x 200mm	750mm x 365mm x 200mm
Mounting Height	4m - 6m	6m - 8m	8m - 10m	8m - 10m
Beam angles	Type I, Type II, Type III, Type III M			
CRI	80	80	80	80
3000K Part No	SENTINAL36 40803	SENTINAL36 60803	SENTINAL36 80803	SENTINAL48 100803
4000K Part No	SENTINAL36 40804	SENTINAL36 60804	SENTINAL36 80804	SENTINAL48 100804
OSRAM LED DRIVER	OTe 25/220...240/420 TO OTe 50/220...240/1A0			

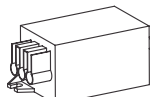
Optional accessories



Photocell



Power-off protection



Surge protection