

NOVA FLEX TS

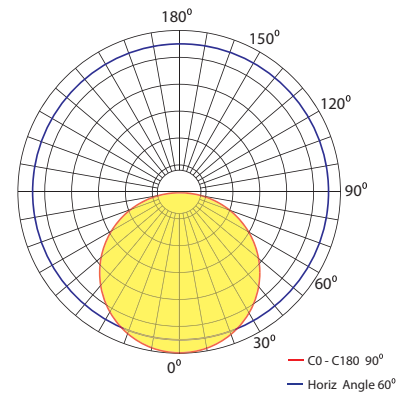
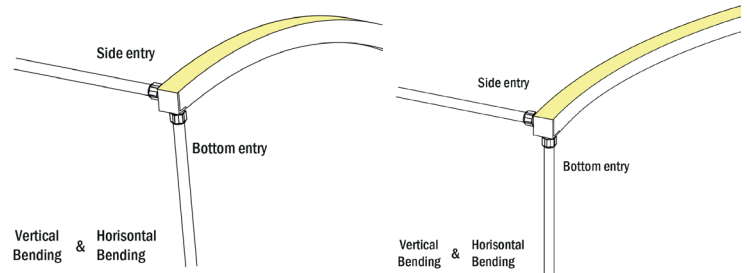
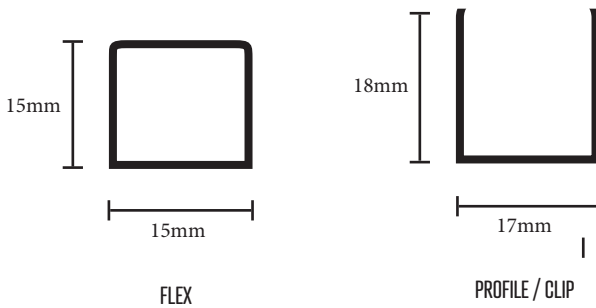
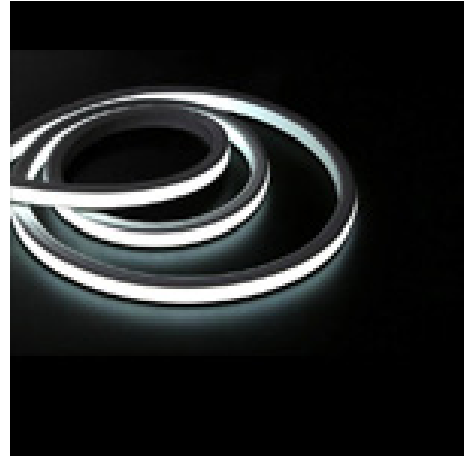
The Nova Flex TS is a IP67 rated dot free high output architectural lighting solution. This LED fitting is flexible in the horizontal plain and the vertical plain, this two products are more commonly used for the indoor or outdoor architectural lighting. This fitting can be mold in to curves and bends, minimum bend radius is 100mm. This fitting is available with seamles joins or injection molded ends which has side power entry or bottom power entry.




Cut Length 83.3mm (markings are provided)

Flexible PU material housing can be cut and is bendable, Installs easily into linear aluminum "U" channel and/or mini-channel clips.

Non-dimmable ECG standard, Phase Dim/DALI is optional.

50,000-hour L70 5 year warranty



-  SMD 3000K / 4000K
-  DC24V
-  10-10V, DALI



Power	15W/m	10W/m
LED	SMD	SMD
Luminous flux 3K	940lm	626lm
Luminous flux 4K	1100lm	733lm
Dimensions	15mm x 15mm	15mmx15mm
Colour	White	White
Beam angles	90°	90°
CRI	80	80
3000K Part No	NOVA FLEX TS 15803	NOVA FLEX TS 10803
4000K Part No	NOVA FLEX TS 15804	NOVA FLEX TS 10804
Available in 5m Length or Custom made lengths		