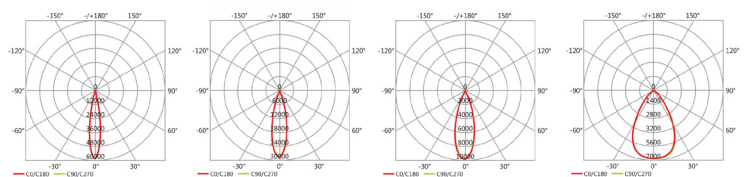
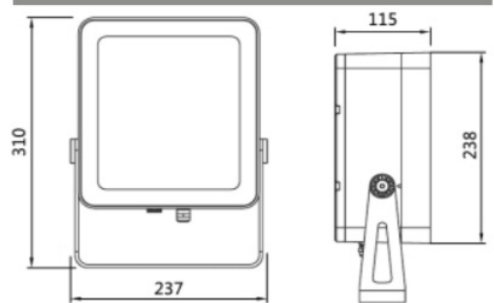


# NEO 45

Litenet presents NEO range of light fittings that can be used for a wide range of outdoor lighting applications, this range of powerful projector lights are designed for facade lighting. The NEO collection is a fixed projector lights that has a wide range of beam angles with low glare lighting application. This fitting is a designed with reinforced aluminium body along with IP66 Air breathing cap presents a elegant and functional fitting.

The NEO range is designed with a generous heat sink using die cast high grade aluminium to maximise heat dissipation which will intern maximise the life of the LED chip. The NEO range has a central illumination deep set LED lens minimise uncomfortable glare.

- Non-dimmable ECG standard,
- Phase Dim/DALI is optional.
- 50,000-hour L80 5-year warranty



Power	45W,60W, 80W,100W
LED	T04 SMD
Luminous flux 3K	3,285lm, 4,383lm, 5,842lm, 7,303lm
Luminous flux 4K	3,375lm, 4,509lm, 6,020lm, 7,510lm
Dimensions	238mm x 238mmx 115mm
Mounting Options	Surface mounted or suspended
Beam angles	15°, 25°, 40°,60°
CRI	80
3000K Part No	NEO45803, NEO60803, NEO80803, NEO100803
4000K Part No	NEO45804, NEO60804, NEO80804, NEO100804