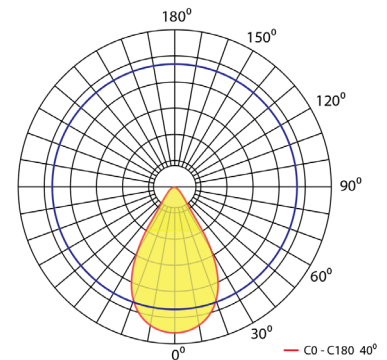
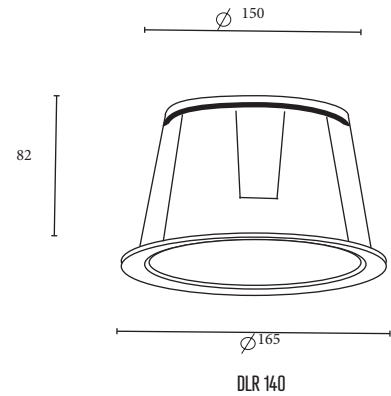
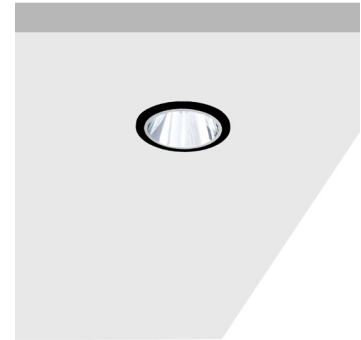






DLR 140

Litenet presents DLR range of recessed mounted IP65 down lights that is designed outdoor lighting applications this range of down lights offer uniform lighting to your lighting applications The DLR range of down lights are designed for commercial lighting applications. The DLR range of fixed down lights are low profiled and is a high performer over 90lm/w it is suted for many outdoor lighting applications this range is available in satin white or matte black powdercoat finish. As a standard, this rage comes with high quality COB LED technology with CRI80 upon request CRI86 can be made available.

The DLR range is designed with a stable heat sink with a high-grade aluminum to maximise heat dissipation which will intern maximise the life of the LED chip. This range of down lights have deep conical housing minimise uncomfortable glare, combined with the dark light reflector presents a unparalleled visual comfort to the eye and style to your design.

Non-dimmable ECG standard, Phase Dim/DALI is optional.
50,000 hour life 5 with year warranty L70



-  COB 3000K 4000K
-  DC36V 450mA 500mA
-  non Dim, 10-10V, DALI
-  140-150mm

-  IES
-  IP 65
-  41°
-  IK 07

Power	18W	22W	18W	22W
LED	COB	COB	COB	COB
Output current	450mA	600mA	450mA	600mA
CCT	3000K or 4000K	3000K or 4000K	3000K or 4000K	3000K or 4000K
Luminous flux	1472lm or 1620lm	1800lm or 1980lm	1620lm or 1960lm	1800lm or 1960lm
Dimensions (D x H)mm	165x82mm	165x82mm	165x82mm	165x82mm
Beam angle	41°	41°	41°	41°
CRI	80	80	80	80
Part No	DLR M140 18803	DLR M140 22803	DLR W140 18903	DLR W140 22803
Part No.	DLR M140 18804	DLR M140 22804	DLR W140 18804	DLR W140 22804