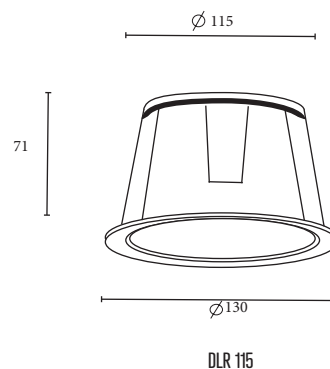
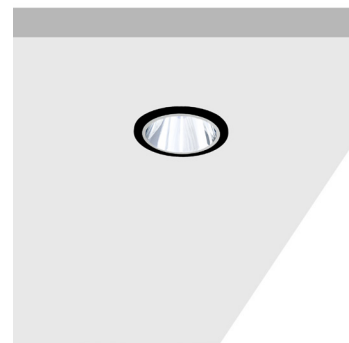






DLR 115

Litenet presents DLR range of recessed mounted IP65 down lights that is designed outdoor lighting applications this range of down lights offer uniform lighting to your lighting applications The DLR range of down lights are designed for commercial lighting applications. The DLR range of fixed down lights are low profiled and is a high performer over 90lm/w it is suted for many outdoor lighting applications this range is available in satin white or matte black powdercoat finish. As a standard, this rage comes with high quality COB LED technology with CRI80 upon request CRI86 can be made available.

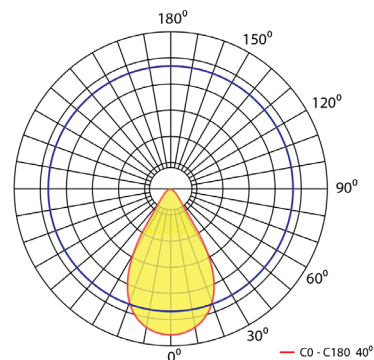
The DLR range is designed with a stable heat sink with a high-grade aluminum to maximise heat dissipation which will intern maximise the life of the LED chip. This range of down lights have deep conical housing minimise uncomfortable glare, combined with the dark light reflector presents a unparalleled visual comfort to the eye and style to your design.

Non-dimmable ECG standard, Phase Dim/DALI is optional.
50,000 hour life 5 with year warranty L70



-  COB 3000K 4000K
-  DC36V 450mA
-  non Dim, 10-10V, DALI
-  140-150mm

-  IES
-  IP 65
-  41°
-  IK 07



Power	15W	15W
LED	COB	COB
Output current	450mA	450mA
CCT	3000K or 4000K	3000K or 4000K
Luminous flux	1227lm or 1350lm	1209lm or 1330lm
Dimensions (D x H)mm	130x71mm	130x71mm
Beam angle	41°	41°
CRI	80	80
Part No	DLR M115 15803	DLR W115 15803
Part No.	DLR M115 15804	DLR W115 15804