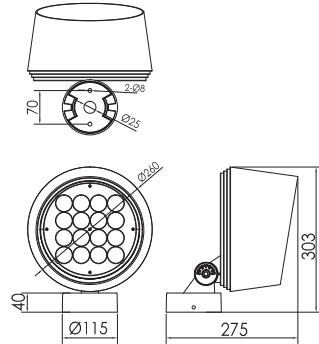
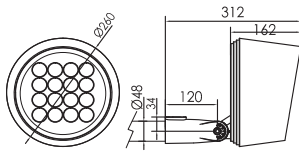


ECHO 260

Engineered product specification



- IP 66
- IK 07
- CRI 80
- CRI 90
- 12°
- 20°
- 30°
- 60°
- 5x70°
- 10x70°
- S'DOCS
- IES
- ECG
- DALI
- DMX 512
- 3000 K
- 4000 K
- RGBW
- FINISH
- Gray
- Custom
- 5 WARRANTY



Power	60W	60W	75W	75W	75W
Luminous flux	4299lm	4851lm	5374lm	6063.3	4290lm
CCT	3000K	4000K	3000K	4000K	RGBW
Input Voltage	AC 220-240V	AC 220-240V	AC 220-240V	AC 220-240V	DC24V
Beam angles	12°, 20°, 30°, 60°, 10x70° & 5x20°				20° & 30°
CRI	80	80	80	80	
Surface mount Part No.	Echo260-603-CG-86	Echo610-604-CG-86	Echo260-753-CG-86	Echo260-754-CG-86	Echo260-75RGBW-CG-86
Including Pole mount Part No.	Echo260P-603-CG-87	Echo260P-604-CG-87	Echo260P-753-CG-87	Echo260P-754-CG-87	Echo260P-75RGBW-CG-87