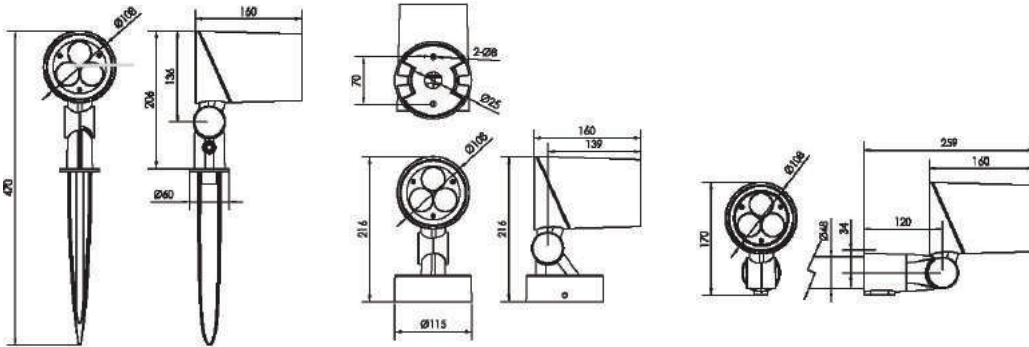


ECHO 106

Engineered product specification



- IP 66 IK 07
-
- CRI 80 CRI 90
- 12° 20° 30° 60° 5x70° 10x70°
-
- ECG DALI DMX 512
- 3000 K 4000 K RGBW
- FINISH
- 5 WARRANTY



Power	12W	12W	15W	15W	15W
	860lm	970lm	1075	1213lm	880lm
CCT	3000K	4000K	3000K	4000K	RGBW
Input Voltage	AC 220-240V	AC 220-240V	AC 220-240V	AC 220-240V	DC24V
Beam angles	12°, 20°, 30°, 60°, 10x70° & 5x20°				20° & 30°
CRI	80	80	80	80	
Surface mount Part No.	Echo106-123-CG-86	Echo106-124-CG-86	Echo106-153-CG-86	Echo106-154-CG-86	Echo106-15RGBW-CG-86
including Spike Part No.	Echo106S-123-CG-86	Echo106S-124-CG-86	Echo106S-153-CG-86	Echo106S-154-CG-86	Echo106S-15RGBW-CG-86
Pole mount Part No.	Echo106P-123-CG-86	Echo106P-124-CG-86	Echo106P-153-CG-86	Echo106P-154-CG-86	Echo106P-15RGBW-CG-86