

DRONE V

The Drone V is an industrial Light fitting designed for wide area illumination. This fitting is available with 60°, 90° or 120° beam angles with CRI80 and 135lm/w and available with two mounting options suspension hook or suspension rod M10 thread.

The body of the Drone V is made with die cast Aluminium for better heat dissipation and finished off with clear PMMA lense.

The DroneV Range is available with Non-dimmable ECG as a standard LED Driver / DALI dimmable driver is optional. CRI90 is also available upon request.

Mounting accessories
Suspension kit

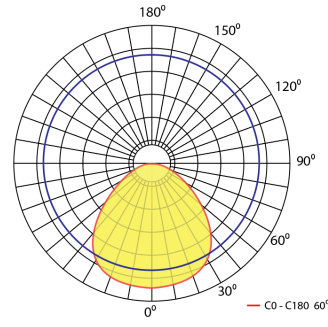
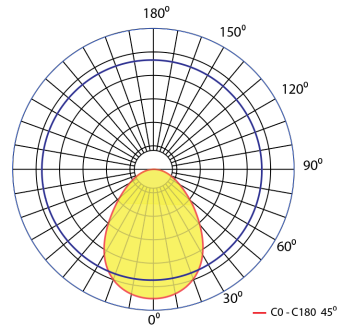
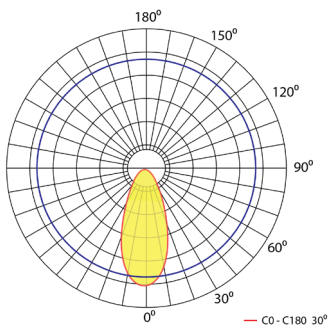
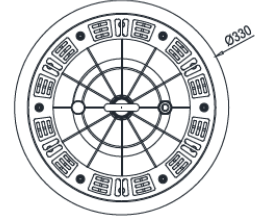
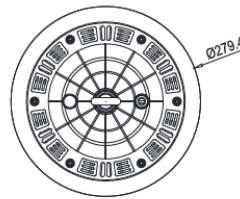
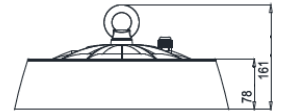
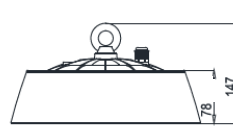
50,000hour L80 5 year warranty



BLACK Color only



-  SMD 3030 4000K
-  240V AC
-  10-10V, DALI



Power	100W	150W	200W	240W
Luminous flux 4K	13,500lm	20,250lm	27,000lm	32,400LM
Dimensions	280mm x 147mm	280mm x 147mm	330mm x 161mm	330mm x 161mm
Colour	Black	Black	Black	Black
Beam angles	60°, 90°, 120°	60°, 90°, 120°	60°, 90°, 120°	60°, 90°, 120°
CRI	80	80	80	80
4000K Part No	DRONE V 100804	DRONE V 150804	DRONE V 200804	DRONE V 240804